



BEF-MR-010050

SICK
Sensor Intelligence.



Ordering information

Type	Part no.
BEF-MR-010050	5312989

Other models and accessories → www.sick.com/

Detailed technical data

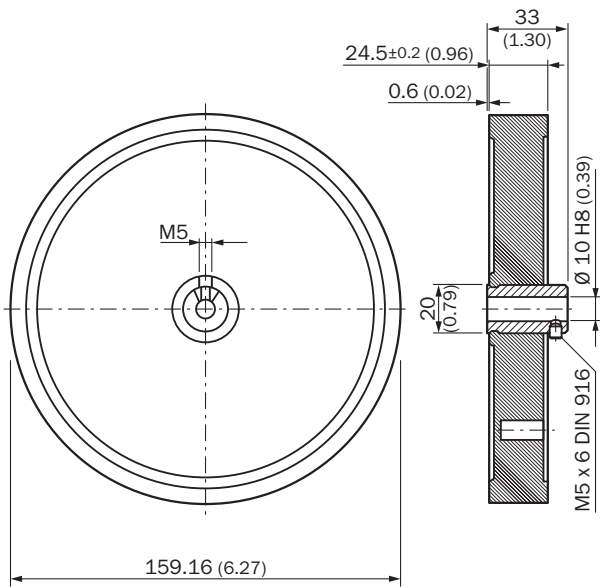
Technical specifications

Accessory group	Other mounting accessories
Accessory family	Measuring wheels and measuring wheel systems
Description	Plastic measuring wheel with smooth plastic surface (Hytrel) for 10 mm solid shaft, circumference 500 mm
Circumference	500 mm
Surface	Smooth

Classifications

ECl@ss 5.0	21160104
ECl@ss 5.1.4	21160104
ECl@ss 6.0	21160104
ECl@ss 6.2	21160104
ECl@ss 7.0	21160104
ECl@ss 8.0	21160104
ECl@ss 8.1	21160104
ECl@ss 9.0	21160104
ECl@ss 10.0	21160104
ECl@ss 11.0	21160104
ETIM 5.0	EC002179
ETIM 6.0	EC002179
ETIM 7.0	EC002179
UNSPSC 16.0901	25191839

Dimensional drawing (Dimensions in mm (inch))



SICK AT A GLANCE

SICK is one of the leading manufacturers of intelligent sensors and sensor solutions for industrial applications. A unique range of products and services creates the perfect basis for controlling processes securely and efficiently, protecting individuals from accidents and preventing damage to the environment.

We have extensive experience in a wide range of industries and understand their processes and requirements. With intelligent sensors, we can deliver exactly what our customers need. In application centers in Europe, Asia and North America, system solutions are tested and optimized in accordance with customer specifications. All this makes us a reliable supplier and development partner.

Comprehensive services complete our offering: SICK LifeTime Services provide support throughout the machine life cycle and ensure safety and productivity.

For us, that is “Sensor Intelligence.”

WORLDWIDE PRESENCE:

Contacts and other locations –www.sick.com